

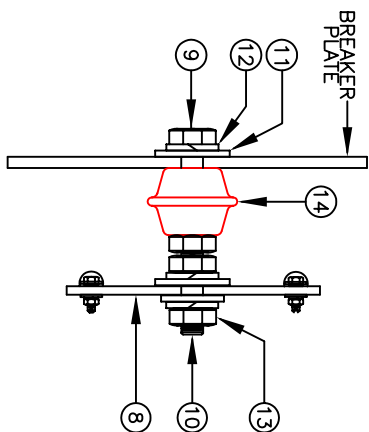
# SYSTEM SPECIFICATIONS

SYSTEM MODEL NO. CZS-48360  
 SYSTEM RATING: 37.5 AMPS FOR 8 HOURS TO 1.75 VPC.  
 RECOMMENDED SYSTEM FLOAT VOLTAGE: 54.48 MIN. 55.2 MAX.  
 SYSTEM CUTOFF VOLTAGE: 42  
 FULL LOAD CURRENT: 37.5 ADC  
 PER SERIES CIRCUIT: 12.5 ADC  
 OPEN CIRCUIT VOLTAGE: 49.6 - 51.6 VDC

- NOTE: SYSTEM IS SIZED TO ACCOMMODATE A 175 AMP SPIKE
- 1 ALL RECOMMENDED CUSTOMER'S CABLE GAUGES ARE BASED ON TABLE 310-16 OF N.E.C. USING 75°C CABLE IN 30°C AMBIENT.
  - 2 SEE BATTERY LABEL FOR TORQUE VALUES
  - 3 USE INSULATED TOOLS FOR CABINET INSTALLATION, DO NOT ALLOW TOOLS OR CABLES TO REST ON BATTERIES.

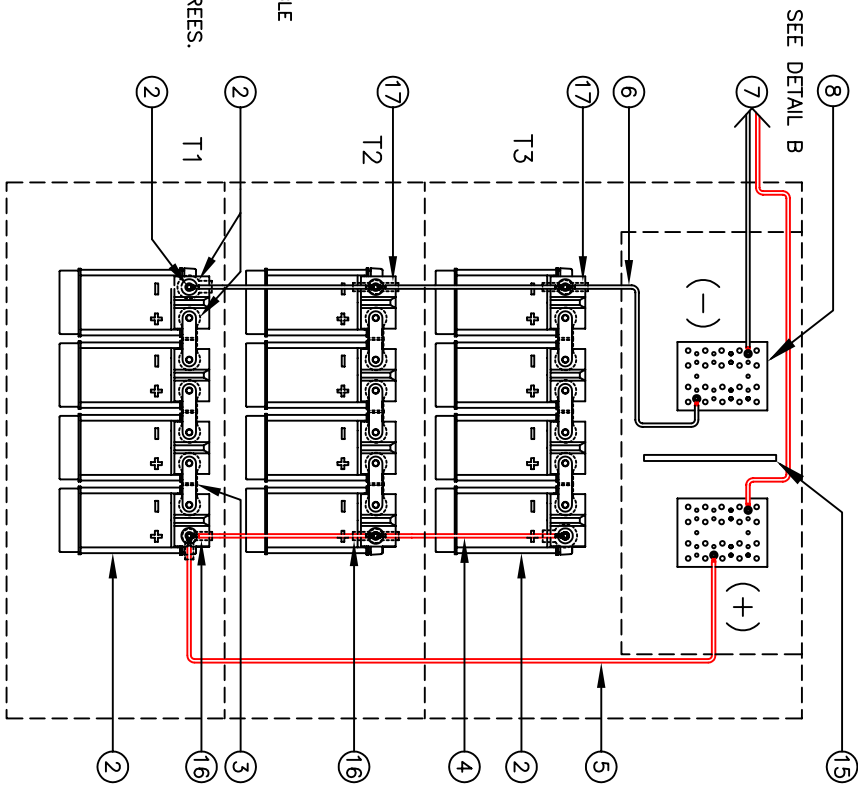
**PARALLEL CONNECTOR:**  
 WIRE SIZE WILL BE SPECIFIED AS PER GAUGE (MINIMUM) TO BE USED. LENGTHS OF CABLE TO JUNCTION BOX SHOULD BE MADE SO THAT THE TOTAL LENGTH OF CABLES PER STRING IS EQUAL. THIS WILL MINIMIZE VARIATIONS OF RESISTANCE IN EACH STRING.  
 HENCE EQUALLY DISTRIBUTE LOAD CURRENTS.

NOTE:  
 \* ALTERNATE METHOD MAY BE USED TO CONNECT TWO SYSTEMS ACCORDING TO CUSTOMER SPECIFICATIONS.

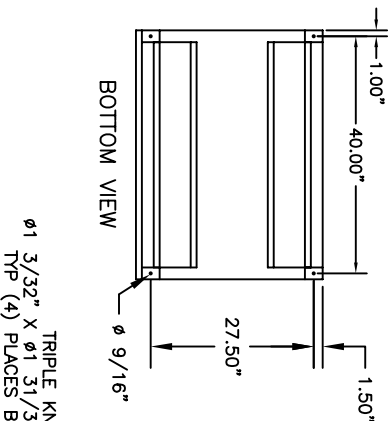


DETAIL B  
 BUSBAR ASSEMBLY

**IMPORTANT NOTES**  
 THE CUSTOMER AND/OR CONTRACTOR SHALL BE RESPONSIBLE FOR INSTALLING THIS EQUIPMENT IN ACCORDANCE WITH ALL APPLICABLE CODES AND REGULATIONS  
 WHEN HANDLING, KEEP UPRIGHT WITHIN +/- 15 DEGREES.  
 PLEASE REFER TO 2008 NEC SECTION 480-9 FOR THE REQUIREMENTS ON WORKING SPACES.

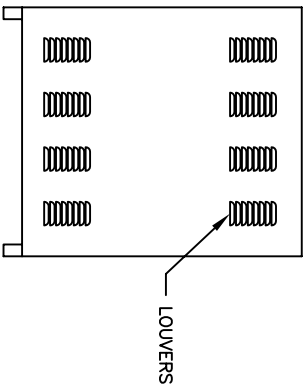


WIRING DIAGRAM

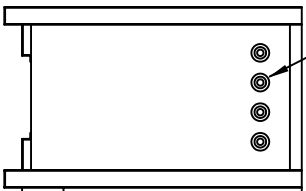


BOTTOM VIEW

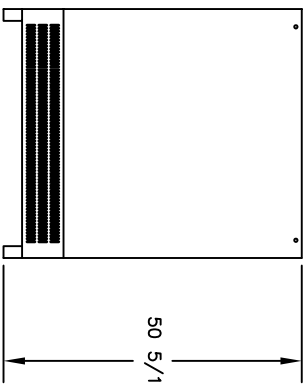
TRIPLE KNOCKOUTS  
 $\phi 1 \ 3/32" \times \phi 1 \ 31/32" \times \phi 3/8"$   
 TYP (4) PLACES BOTH SIDE



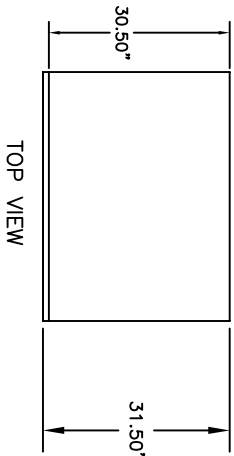
BACK VIEW



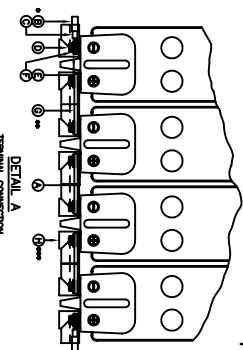
SIDE VIEW



FRONT VIEW



TOP VIEW



DETAIL A  
 TERMINAL CONNECTIONS

ITEM NO.	DESCRIPTION	QTY
1	BUS BAR COVER	1
2	SPRING LOCK WASHER	2
3	WASHER	2
4	CABLE LUG	2
5	CABLE LUG	2
6	FLAT WASHER	2
7	FLAT WASHER	2
8	FLAT WASHER	2
9	FLAT WASHER	2
10	FLAT WASHER	2
11	FLAT WASHER	2
12	FLAT WASHER	2
13	FLAT WASHER	2
14	FLAT WASHER	2
15	FLAT WASHER	2
16	FLAT WASHER	2
17	FLAT WASHER	2
18	FLAT WASHER	2
19	FLAT WASHER	2
20	FLAT WASHER	2
21	FLAT WASHER	2
22	FLAT WASHER	2
23	FLAT WASHER	2
24	FLAT WASHER	2
25	FLAT WASHER	2
26	FLAT WASHER	2
27	FLAT WASHER	2
28	FLAT WASHER	2
29	FLAT WASHER	2
30	FLAT WASHER	2
31	FLAT WASHER	2
32	FLAT WASHER	2
33	FLAT WASHER	2
34	FLAT WASHER	2
35	FLAT WASHER	2
36	FLAT WASHER	2
37	FLAT WASHER	2
38	FLAT WASHER	2
39	FLAT WASHER	2
40	FLAT WASHER	2
41	FLAT WASHER	2
42	FLAT WASHER	2
43	FLAT WASHER	2
44	FLAT WASHER	2
45	FLAT WASHER	2
46	FLAT WASHER	2
47	FLAT WASHER	2
48	FLAT WASHER	2
49	FLAT WASHER	2
50	FLAT WASHER	2
51	FLAT WASHER	2
52	FLAT WASHER	2
53	FLAT WASHER	2
54	FLAT WASHER	2
55	FLAT WASHER	2
56	FLAT WASHER	2
57	FLAT WASHER	2
58	FLAT WASHER	2
59	FLAT WASHER	2
60	FLAT WASHER	2
61	FLAT WASHER	2
62	FLAT WASHER	2
63	FLAT WASHER	2
64	FLAT WASHER	2
65	FLAT WASHER	2
66	FLAT WASHER	2
67	FLAT WASHER	2
68	FLAT WASHER	2
69	FLAT WASHER	2
70	FLAT WASHER	2
71	FLAT WASHER	2
72	FLAT WASHER	2
73	FLAT WASHER	2
74	FLAT WASHER	2
75	FLAT WASHER	2
76	FLAT WASHER	2
77	FLAT WASHER	2
78	FLAT WASHER	2
79	FLAT WASHER	2
80	FLAT WASHER	2
81	FLAT WASHER	2
82	FLAT WASHER	2
83	FLAT WASHER	2
84	FLAT WASHER	2
85	FLAT WASHER	2
86	FLAT WASHER	2
87	FLAT WASHER	2
88	FLAT WASHER	2
89	FLAT WASHER	2
90	FLAT WASHER	2
91	FLAT WASHER	2
92	FLAT WASHER	2
93	FLAT WASHER	2
94	FLAT WASHER	2
95	FLAT WASHER	2
96	FLAT WASHER	2
97	FLAT WASHER	2
98	FLAT WASHER	2
99	FLAT WASHER	2
100	FLAT WASHER	2

\* USE (2) FLAT WASHER WHEN CABLES ARE BEND USED  
 \*\* USE (1) FLAT WASHER WHEN A BUS BAR IS BEND USED  
 \*\*\* BUS BAR BOLTS SHALL BE USE IN EACH CONNECTION  
 \*\*\*\* ALL CONNECTIONS MUST BE RETORQUED  
 ANNUALLY TO 115 IN-UPS

## IMPORTANT NOTE

ALL CONNECTIONS MUST BE CHECKED FOR PROPER TORQUE PRIOR TO START UP OR ENERGIZING OF SYSTEM.

NOTE: CABLES SIZED TO RESTRICT A VOLTAGE DROP OVER 2%

NO.	DESCRIPTION	QTY	PART NO.
1	CABINET	1	CZS
2	BATTERY/BOOTS/HARDWARE	12	PSG-12120RT
3	BUSBAR (THICK)	9	OC-0063
4	CABLE 1/0 GA. 24" LG.	4	1/0-248
5	CABLE 1/0 GA. 30" LG.	1	1/0-308E
6	CABLE 2/0 GA. MINIMUM	2	STRIP-BUSBAR
7	CABLE 1/0 GA. 30" LG.	1	1/0-308E
8	BUSBAR (1200A)	2	SC-0001
9	5/16-18 UNC X 5/8" HEX HEAD SCREW	2	HW-0008
10	5/16-18 UNC X 2" FLATLY THREADED STD	2	HW-0009
11	5/16-18 UNC X 2" FLATLY THREADED STD	2	HW-0009
12	5/16-18 UNC X 2" FLATLY THREADED STD	2	HW-0009
13	5/16-18 UNC X 2" FLATLY THREADED STD	2	HW-0009
14	5/16-18 UNC X 2" FLATLY THREADED STD	2	HW-0009
15	5/16-18 UNC X 2" FLATLY THREADED STD	2	HW-0009
16	5/16-18 UNC X 2" FLATLY THREADED STD	2	HW-0009
17	5/16-18 UNC X 2" FLATLY THREADED STD	2	HW-0009
18	5/16-18 UNC X 2" FLATLY THREADED STD	2	HW-0009
19	5/16-18 UNC X 2" FLATLY THREADED STD	2	HW-0009
20	5/16-18 UNC X 2" FLATLY THREADED STD	2	HW-0009
21	5/16-18 UNC X 2" FLATLY THREADED STD	2	HW-0009
22	5/16-18 UNC X 2" FLATLY THREADED STD	2	HW-0009
23	5/16-18 UNC X 2" FLATLY THREADED STD	2	HW-0009
24	5/16-18 UNC X 2" FLATLY THREADED STD	2	HW-0009
25	5/16-18 UNC X 2" FLATLY THREADED STD	2	HW-0009
26	5/16-18 UNC X 2" FLATLY THREADED STD	2	HW-0009
27	5/16-18 UNC X 2" FLATLY THREADED STD	2	HW-0009
28	5/16-18 UNC X 2" FLATLY THREADED STD	2	HW-0009
29	5/16-18 UNC X 2" FLATLY THREADED STD	2	HW-0009
30	5/16-18 UNC X 2" FLATLY THREADED STD	2	HW-0009
31	5/16-18 UNC X 2" FLATLY THREADED STD	2	HW-0009
32	5/16-18 UNC X 2" FLATLY THREADED STD	2	HW-0009
33	5/16-18 UNC X 2" FLATLY THREADED STD	2	HW-0009
34	5/16-18 UNC X 2" FLATLY THREADED STD	2	HW-0009
35	5/16-18 UNC X 2" FLATLY THREADED STD	2	HW-0009
36	5/16-18 UNC X 2" FLATLY THREADED STD	2	HW-0009
37	5/16-18 UNC X 2" FLATLY THREADED STD	2	HW-0009
38	5/16-18 UNC X 2" FLATLY THREADED STD	2	HW-0009
39	5/16-18 UNC X 2" FLATLY THREADED STD	2	HW-0009
40	5/16-18 UNC X 2" FLATLY THREADED STD	2	HW-0009
41	5/16-18 UNC X 2" FLATLY THREADED STD	2	HW-0009
42	5/16-18 UNC X 2" FLATLY THREADED STD	2	HW-0009
43	5/16-18 UNC X 2" FLATLY THREADED STD	2	HW-0009
44	5/16-18 UNC X 2" FLATLY THREADED STD	2	HW-0009
45	5/16-18 UNC X 2" FLATLY THREADED STD	2	HW-0009
46	5/16-18 UNC X 2" FLATLY THREADED STD	2	HW-0009
47	5/16-18 UNC X 2" FLATLY THREADED STD	2	HW-0009
48	5/16-18 UNC X 2" FLATLY THREADED STD	2	HW-0009
49	5/16-18 UNC X 2" FLATLY THREADED STD	2	HW-0009
50	5/16-18 UNC X 2" FLATLY THREADED STD	2	HW-0009
51	5/16-18 UNC X 2" FLATLY THREADED STD	2	HW-0009
52	5/16-18 UNC X 2" FLATLY THREADED STD	2	HW-0009
53	5/16-18 UNC X 2" FLATLY THREADED STD	2	HW-0009
54	5/16-18 UNC X 2" FLATLY THREADED STD	2	HW-0009
55	5/16-18 UNC X 2" FLATLY THREADED STD	2	HW-0009
56	5/16-18 UNC X 2" FLATLY THREADED STD	2	HW-0009
57	5/16-18 UNC X 2" FLATLY THREADED STD	2	HW-0009
58	5/16-18 UNC X 2" FLATLY THREADED STD	2	HW-0009
59	5/16-18 UNC X 2" FLATLY THREADED STD	2	HW-0009
60	5/16-18 UNC X 2" FLATLY THREADED STD	2	HW-0009
61	5/16-18 UNC X 2" FLATLY THREADED STD	2	HW-0009
62	5/16-18 UNC X 2" FLATLY THREADED STD	2	HW-0009
63	5/16-18 UNC X 2" FLATLY THREADED STD	2	HW-0009
64	5/16-18 UNC X 2" FLATLY THREADED STD	2	HW-0009
65	5/16-18 UNC X 2" FLATLY THREADED STD	2	HW-0009
66	5/16-18 UNC X 2" FLATLY THREADED STD	2	HW-0009
67	5/16-18 UNC X 2" FLATLY THREADED STD	2	HW-0009
68	5/16-18 UNC X 2" FLATLY THREADED STD	2	HW-0009
69	5/16-18 UNC X 2" FLATLY THREADED STD	2	HW-0009
70	5/16-18 UNC X 2" FLATLY THREADED STD	2	HW-0009
71	5/16-18 UNC X 2" FLATLY THREADED STD	2	HW-0009
72	5/16-18 UNC X 2" FLATLY THREADED STD	2	HW-0009
73	5/16-18 UNC X 2" FLATLY THREADED STD	2	HW-0009
74	5/16-18 UNC X 2" FLATLY THREADED STD	2	HW-0009
75	5/16-18 UNC X 2" FLATLY THREADED STD	2	HW-0009
76	5/16-18 UNC X 2" FLATLY THREADED STD	2	HW-0009
77	5/16-18 UNC X 2" FLATLY THREADED STD	2	HW-0009
78	5/16-18 UNC X 2" FLATLY THREADED STD	2	HW-0009
79	5/16-18 UNC X 2" FLATLY THREADED STD	2	HW-0009
80	5/16-18 UNC X 2" FLATLY THREADED STD	2	HW-0009
81	5/16-18 UNC X 2" FLATLY THREADED STD	2	HW-0009
82	5/16-18 UNC X 2" FLATLY THREADED STD	2	HW-0009
83	5/16-18 UNC X 2" FLATLY THREADED STD	2	HW-0009
84	5/16-18 UNC X 2" FLATLY THREADED STD	2	HW-0009
85	5/16-18 UNC X 2" FLATLY THREADED STD	2	HW-0009
86	5/16-18 UNC X 2" FLATLY THREADED STD	2	HW-0009
87	5/16-18 UNC X 2" FLATLY THREADED STD	2	HW-0009
88	5/16-18 UNC X 2" FLATLY THREADED STD	2	HW-0009
89	5/16-18 UNC X 2" FLATLY THREADED STD	2	HW-0009
90	5/16-18 UNC X 2" FLATLY THREADED STD	2	HW-0009
91	5/16-18 UNC X 2" FLATLY THREADED STD	2	HW-0009
92	5/16-18 UNC X 2" FLATLY THREADED STD	2	HW-0009
93	5/16-18 UNC X 2" FLATLY THREADED STD	2	HW-0009
94	5/16-18 UNC X 2" FLATLY THREADED STD	2	HW-0009
95	5/16-18 UNC X 2" FLATLY THREADED STD	2	HW-0009
96	5/16-18 UNC X 2" FLATLY THREADED STD	2	HW-0009
97	5/16-18 UNC X 2" FLATLY THREADED STD	2	HW-0009
98	5/16-18 UNC X 2" FLATLY THREADED STD	2	HW-0009
99	5/16-18 UNC X 2" FLATLY THREADED STD	2	HW-0009
100	5/16-18 UNC X 2" FLATLY THREADED STD	2	HW-0009

NO.	DESCRIPTION	QTY	PART NO.
1	CABINET	1	CZS
2	BATTERY/BOOTS/HARDWARE	12	PSG-12120RT
3	BUSBAR (THICK)	9	OC-0063
4	CABLE 1/0 GA. 24" LG.	4	1/0-248
5	CABLE 1/0 GA. 30" LG.	1	1/0-308E
6	CABLE 2/0 GA. MINIMUM	2	STRIP-BUSBAR
7	CABLE 1/0 GA. 30" LG.	1	1/0-308E
8	BUSBAR (1200A)	2	SC-0001
9	5/16-18 UNC X 5/8" HEX HEAD SCREW	2	HW-0008
10	5/16-18 UNC X 2" FLATLY THREADED STD	2	HW-0009
11	5/16-18 UNC X 2" FLATLY THREADED STD	2	HW-0009
12	5/16-18 UNC X 2" FLATLY THREADED STD	2	HW-0009
13	5/16-18 UNC X 2" FLATLY THREADED STD	2	HW-0009
14	5/16-18 UNC X 2" FLATLY THREADED STD	2	HW-0009
15	5/16-18 UNC X 2" FLATLY THREADED STD	2	HW-0009
16	5/16-18 UNC X 2" FLATLY THREADED STD	2	HW-0009
17	5/16-18 UNC X 2" FLATLY THREADED STD	2	HW-0009
18	5/16-18 UNC X 2" FLATLY THREADED STD	2	HW-0009
19	5/16-18 UNC X 2" FLATLY THREADED STD	2	HW-0009
20	5/16-18 UNC X 2" FLATLY THREADED STD	2	HW-0009
21	5/16-18 UNC X 2" FL		