

SYSTEM SPECIFICATIONS

SYSTEM MODEL NO. CZS-481020
 SYSTEM RATING: 100 AMPS FOR 8 HOURS TO 1.75 VPC.
 RECOMMENDED SYSTEM FLOAT VOLTAGE: 54.48 MIN. 55.2 MAX.
 SYSTEM CUTOFF VOLTAGE: 42
 FULL LOAD CURRENT: 100 ADC
 OPEN CIRCUIT VOLTAGE: 49.6 - 51.6 VDC

NOTE: SYSTEM IS SIZED TO ACCOMMODATE A 250 AMP SPIKE

① ALL RECOMMENDED CUSTOMER'S CABLE GAUGES ARE BASED ON TABLE 310-16 OF N.E.C. USING 75°C CABLE IN 30°C AMBIENT.

② SEE BATTERY LABEL FOR TORQUE VALUES

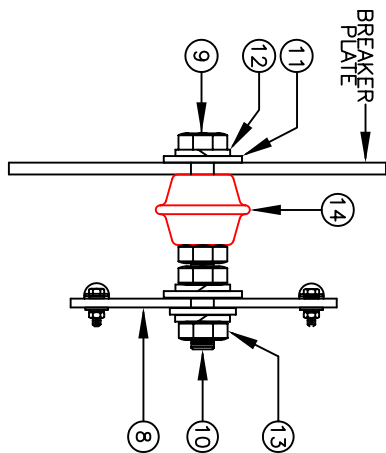
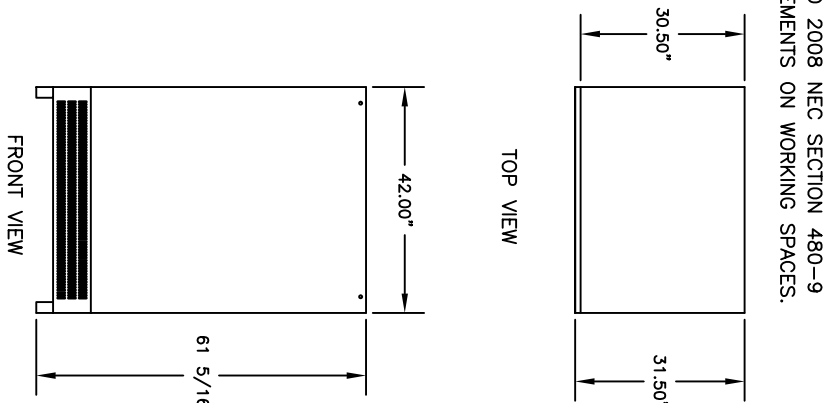
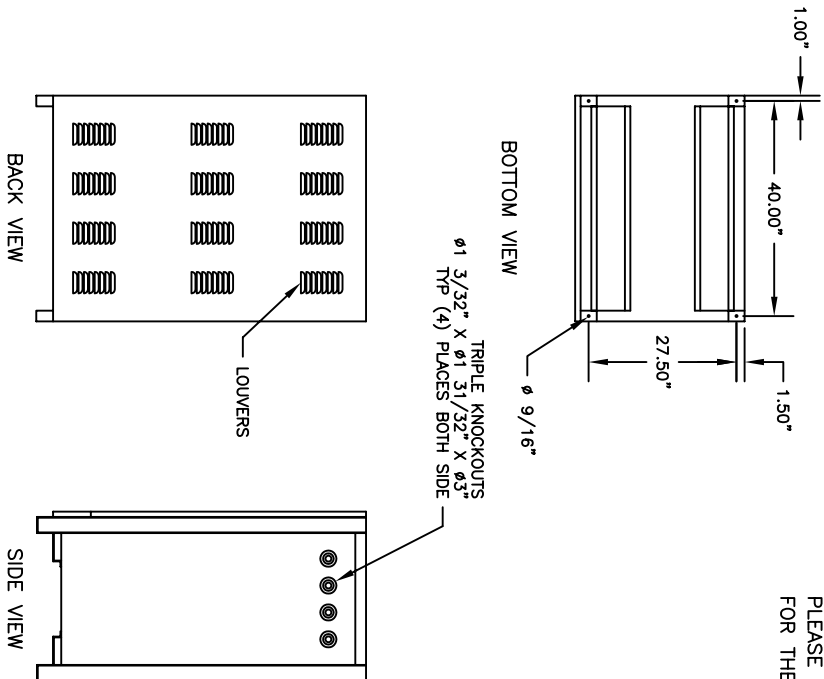
④ USE INSULATED TOOLS FOR CABINET INSTALLATION. DO NOT ALLOW TOOLS OR CABLES TO REST ON BATTERIES.

PARALLEL CONNECTOR:

WIRE SIZE WILL BE SPECIFIED AS PER GAUGE (MINIMUM) TO BE USED. LENGTHS OF CABLE TO JUNCTION BOX SHOULD BE MADE SO THAT THE TOTAL LENGTH OF CABLES PER STRING IS EQUAL. THIS WILL MINIMIZE VARIATIONS OF RESISTANCE IN EACH STRING. HENCE EQUALLY DISTRIBUTE LOAD CURRENTS.

NOTE:

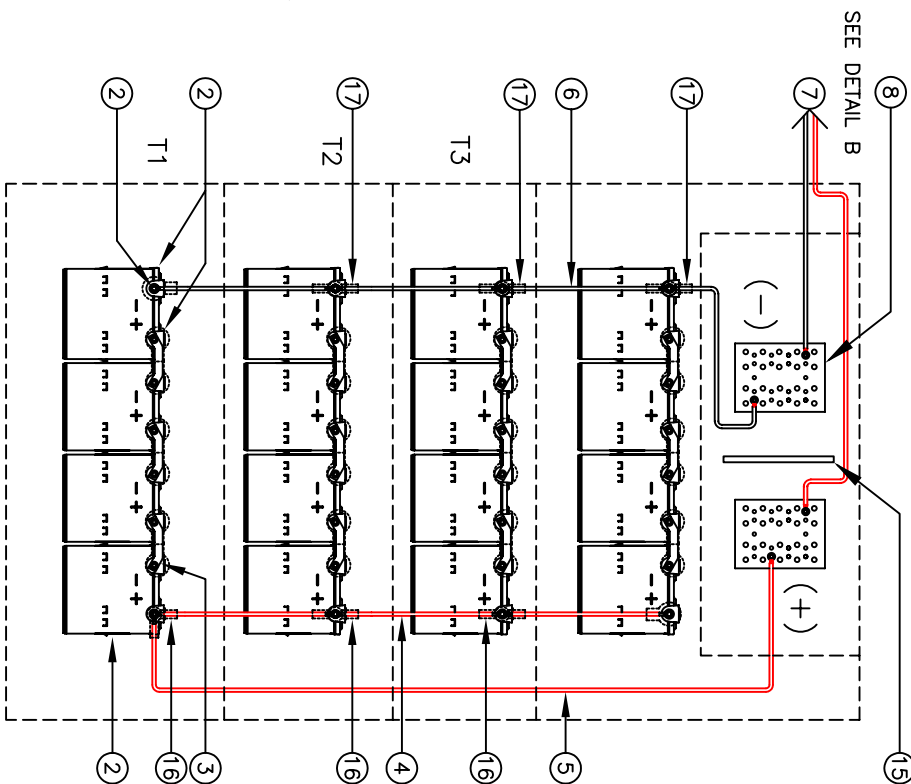
* ALTERNATE METHOD MAY BE USED TO CONNECT TWO SYSTEMS ACCORDING TO CUSTOMER SPECIFICATIONS.



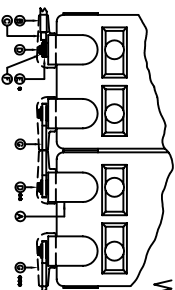
DETAIL B
 BUSBAR ASSEMBLY

IMPORTANT NOTES

THE CUSTOMER AND/OR CONTRACTOR SHALL BE RESPONSIBLE FOR INSTALLING THIS EQUIPMENT IN ACCORDANCE WITH ALL APPLICABLE CODES AND REGULATIONS WHEN HANDLING, KEEP UPRIGHT WITHIN +/- 15 DEGREES. PLEASE REFER TO 2008 NEC SECTION 480-9 FOR THE REQUIREMENTS ON WORKING SPACES.



WIRING DIAGRAM



DETAIL A

ITEM NO.	DESCRIPTION	QTY
1	8/16 FLAT WASHER	1
2	5/16-18 FLAT WASHER	1
3	5/16-18 UNF X 3/8" HEX HEAD SCREW	2
4	5/16-18 UNF X 3/8" HEX HEAD SCREW	2
5	5/16-18 UNF X 3/8" HEX HEAD SCREW	2
6	5/16-18 UNF X 3/8" HEX HEAD SCREW	2
7	5/16-18 UNF X 3/8" HEX HEAD SCREW	2
8	5/16-18 UNF X 3/8" HEX HEAD SCREW	2
9	5/16-18 UNF X 3/8" HEX HEAD SCREW	2
10	5/16-18 UNF X 3/8" HEX HEAD SCREW	2
11	5/16-18 UNF X 3/8" HEX HEAD SCREW	2
12	5/16-18 UNF X 3/8" HEX HEAD SCREW	2
13	5/16-18 UNF X 3/8" HEX HEAD SCREW	2
14	5/16-18 UNF X 3/8" HEX HEAD SCREW	2
15	5/16-18 UNF X 3/8" HEX HEAD SCREW	2
16	5/16-18 UNF X 3/8" HEX HEAD SCREW	2
17	5/16-18 UNF X 3/8" HEX HEAD SCREW	2

* USE (2) FLAT WASHERS WITH EACH SCREW FROM THIS LIST
 ** BATTERY CABINET SHALL BE USED IN BOND CONNECTION
 *** ALL CONNECTIONS MUST BE REMOVED ANNUALLY TO 115 M-TORQUE

IMPORTANT NOTE

ALL CONNECTIONS TO BE RETORQUED ANNUALLY
 ALL CONNECTIONS MUST BE CHECKED FOR PROPER TORQUE
 PRIOR TO START UP OR ENERGIZING OF SYSTEM.

NOTE: CABLES SIZED TO RESTRICT A VOLTAGE DROP OVER 2%

REV	DESCRIPTION	DATE	BY
1	ISSUED FOR MANUFACTURE	08/21/08	POWER
2	REVISIONS		
3			
4			
5			
6			
7			
8			
9			
10			
11			
12			
13			
14			
15			
16			
17			
18			
19			
20			

POWER
 BATTERY SYSTEM LAYOUT FOR
 (1) CZS CABINET (48 V)
 WITH (10) 12 V BATTERIES
 MODEL NO. CZS-481020