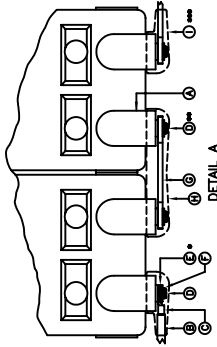


SYSTEM SPECIFICATIONS

MODEL: EZS-482550
 SYSTEM RATING: 200 AMPS FOR 10.3 HOURS TO 1.75 VPC.
 RECOMMENDED SYSTEM FLOAT VOLTAGE: 54 MIN. 55.2 MAX.
 SYSTEM CUTOFF VOLTAGE: 42
 FULL LOAD CURRENT: 200 ADC
 FULL LOAD CURRENT PER SERIES CIRCUIT: 19.93 ADC
 OPEN CIRCUIT VOLTAGE: 49.6 - 51.6 VDC

- ① ALL RECOMMENDED CUSTOMER'S CABLE GAUGES ARE BASED ON TABLE 310-16 OF N.E.C. USING 75°C CABLE IN 30°C AMBIENT.
- ② SEE BATTERY LABEL FOR TORQUE VALUES
- ③ USE INSULATED TOOLS FOR CABINET INSTALLATION.
DO NOT ALLOW TOOLS OR CABLES TO REST ON BATTERIES.

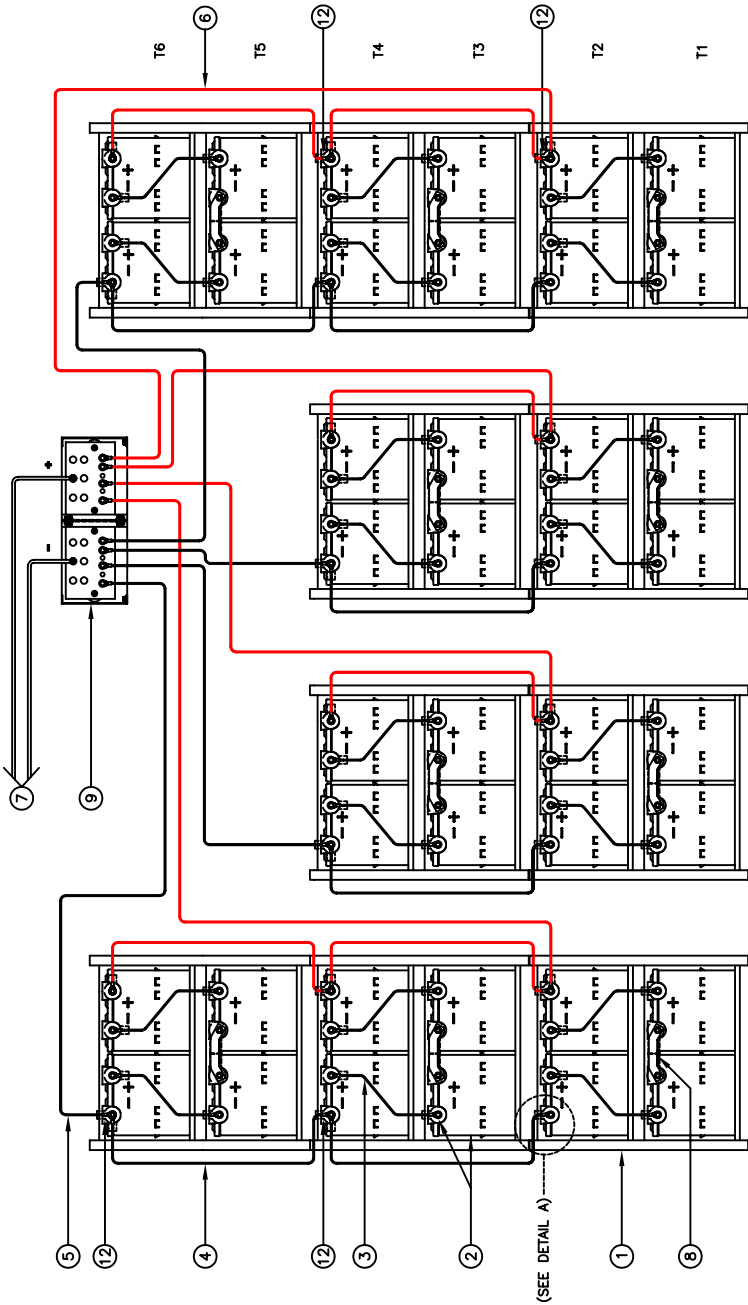


ITEM	BATTERY TERMINAL DESCRIPTION
A	FLAT WASHER
B	BUS BAR COVER
C	BUS BAR
D	SPRING WASHER
E	FLAT WASHER
F	NUT
G	CABLE LUG

* USE (2) FLAT WASHER WHEN CABLES ARE BEING USED
 ** USE (1) FLAT WASHER WHEN A BUS BAR IS BEING USED
 *** BUS BAR TORQUE VALUES ARE 10 FT-LBS
 **** BUS TORQUE LABEL FOR TORQUE VALUES

IMPORTANT NOTE

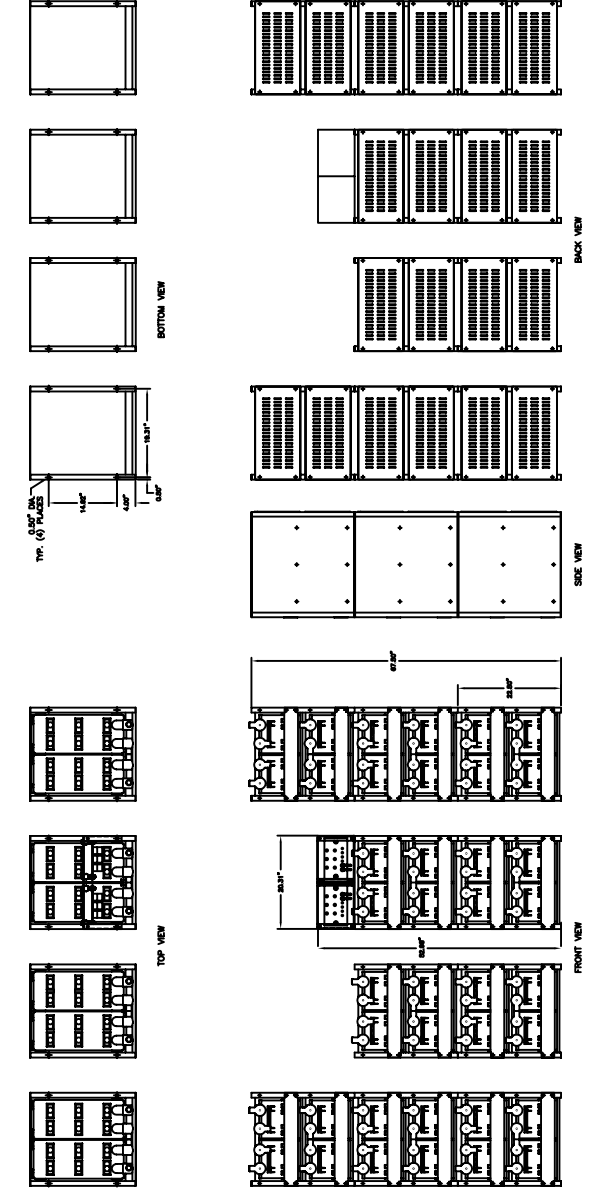
ALL CONNECTIONS TO BE RETORQUED ANNUALLY.
 ALL CONNECTIONS MUST BE CHECKED FOR PROPER TORQUE PRIOR TO START UP OR ENERGIZING OF SYSTEM.



WIRING DIAGRAM

IMPORTANT NOTE

THE CUSTOMER AND/OR CONTRACTOR SHALL BE RESPONSIBLE FOR INSTALLING THIS EQUIPMENT IN ACCORDANCE WITH ALL APPLICABLE CODES AND REGULATIONS
 WHEN HANDLING, KEEP UPRIGHT WITHIN +/- 15 DEGREES.



NOTE:
 * ALTERNATE METHOD MAY BE USED TO CONNECT TWO SYSTEMS ACCORDING TO CUSTOMERS SPECIFICATIONS.

PARALLEL CONNECTOR:
 WIRE SIZE WILL BE SPECIFIED AS PER GAUGE (MINIMUM) TO BE USED. LENGTHS OF CABLE TO JUNCTION BOX SHOULD BE MADE SO THAT THE TOTAL LENGTH OF CABLES PER STRING IS EQUAL. THIS WILL MINIMIZE VARIATIONS OF RESISTANCE IN EACH STRING. HENCE EQUALLY DISTRIBUTE LOAD CURRENTS.

NOTE:
 CABLES SIZED TO RESTRICT A VOLTAGE DROP OVER 2%

NO.	DESCRIPTION	QTY.	PART NO.
12	TERMINAL ROOTS (95609V14)	12	AC-0011
11	EZ STACKING HARDWARE KIT	7	HK-0003
10	EZ ASSEMBLY HARDWARE KIT	20	HK-0001
9	EZ BUSBAR ASSEMBLY	1	EZ-9017
8	BUS BAR (THICK)	10	CC-0058
7	CABLE DOUBLE RUN 4/0 GA. MINIMUM 2x2 SUPPLIED BY CUSTOMER	4/0-708E	
6	CABLE DOUBLE RUN 4/0 GA. 70" LG. 4x2	4/0-608E	
5	CABLE DOUBLE RUN 4/0 GA. 60" LG. 4x2	4/0-508E	
4	CABLE DOUBLE RUN 4/0 GA. 24" LG. 12x2	4/0-24B	
3	CABLE DOUBLE RUN 4/0 GA. 15" LG. 20x2	4/0-15B	
2	BATTERY/BOOTS/HARDWARE	40	PSG-12255
1	RACK	10	EZS1

NO.	DESCRIPTION	QTY.	PART NO.
12	TERMINAL ROOTS (95609V14)	12	AC-0011
11	EZ STACKING HARDWARE KIT	7	HK-0003
10	EZ ASSEMBLY HARDWARE KIT	20	HK-0001
9	EZ BUSBAR ASSEMBLY	1	EZ-9017
8	BUS BAR (THICK)	10	CC-0058
7	CABLE DOUBLE RUN 4/0 GA. MINIMUM 2x2 SUPPLIED BY CUSTOMER	4/0-708E	
6	CABLE DOUBLE RUN 4/0 GA. 70" LG. 4x2	4/0-608E	
5	CABLE DOUBLE RUN 4/0 GA. 60" LG. 4x2	4/0-508E	
4	CABLE DOUBLE RUN 4/0 GA. 24" LG. 12x2	4/0-24B	
3	CABLE DOUBLE RUN 4/0 GA. 15" LG. 20x2	4/0-15B	
2	BATTERY/BOOTS/HARDWARE	40	PSG-12255
1	RACK	10	EZS1

NO.	DESCRIPTION	QTY.	PART NO.
12	TERMINAL ROOTS (95609V14)	12	AC-0011
11	EZ STACKING HARDWARE KIT	7	HK-0003
10	EZ ASSEMBLY HARDWARE KIT	20	HK-0001
9	EZ BUSBAR ASSEMBLY	1	EZ-9017
8	BUS BAR (THICK)	10	CC-0058
7	CABLE DOUBLE RUN 4/0 GA. MINIMUM 2x2 SUPPLIED BY CUSTOMER	4/0-708E	
6	CABLE DOUBLE RUN 4/0 GA. 70" LG. 4x2	4/0-608E	
5	CABLE DOUBLE RUN 4/0 GA. 60" LG. 4x2	4/0-508E	
4	CABLE DOUBLE RUN 4/0 GA. 24" LG. 12x2	4/0-24B	
3	CABLE DOUBLE RUN 4/0 GA. 15" LG. 20x2	4/0-15B	
2	BATTERY/BOOTS/HARDWARE	40	PSG-12255
1	RACK	10	EZS1

NO.	DESCRIPTION	QTY.	PART NO.
12	TERMINAL ROOTS (95609V14)	12	AC-0011
11	EZ STACKING HARDWARE KIT	7	HK-0003
10	EZ ASSEMBLY HARDWARE KIT	20	HK-0001
9	EZ BUSBAR ASSEMBLY	1	EZ-9017
8	BUS BAR (THICK)	10	CC-0058
7	CABLE DOUBLE RUN 4/0 GA. MINIMUM 2x2 SUPPLIED BY CUSTOMER	4/0-708E	
6	CABLE DOUBLE RUN 4/0 GA. 70" LG. 4x2	4/0-608E	
5	CABLE DOUBLE RUN 4/0 GA. 60" LG. 4x2	4/0-508E	
4	CABLE DOUBLE RUN 4/0 GA. 24" LG. 12x2	4/0-24B	
3	CABLE DOUBLE RUN 4/0 GA. 15" LG. 20x2	4/0-15B	
2	BATTERY/BOOTS/HARDWARE	40	PSG-12255
1	RACK	10	EZS1

NO.	DESCRIPTION	QTY.	PART NO.
12	TERMINAL ROOTS (95609V14)	12	AC-0011
11	EZ STACKING HARDWARE KIT	7	HK-0003
10	EZ ASSEMBLY HARDWARE KIT	20	HK-0001
9	EZ BUSBAR ASSEMBLY	1	EZ-9017
8	BUS BAR (THICK)	10	CC-0058
7	CABLE DOUBLE RUN 4/0 GA. MINIMUM 2x2 SUPPLIED BY CUSTOMER	4/0-708E	
6	CABLE DOUBLE RUN 4/0 GA. 70" LG. 4x2	4/0-608E	
5	CABLE DOUBLE RUN 4/0 GA. 60" LG. 4x2	4/0-508E	
4	CABLE DOUBLE RUN 4/0 GA. 24" LG. 12x2	4/0-24B	
3	CABLE DOUBLE RUN 4/0 GA. 15" LG. 20x2	4/0-15B	
2	BATTERY/BOOTS/HARDWARE	40	PSG-12255
1	RACK	10	EZS1

NO.	DESCRIPTION	QTY.	PART NO.
12	TERMINAL ROOTS (95609V14)	12	AC-0011
11	EZ STACKING HARDWARE KIT	7	HK-0003
10	EZ ASSEMBLY HARDWARE KIT	20	HK-0001
9	EZ BUSBAR ASSEMBLY	1	EZ-9017
8	BUS BAR (THICK)	10	CC-0058
7	CABLE DOUBLE RUN 4/0 GA. MINIMUM 2x2 SUPPLIED BY CUSTOMER	4/0-708E	
6	CABLE DOUBLE RUN 4/0 GA. 70" LG. 4x2	4/0-608E	
5	CABLE DOUBLE RUN 4/0 GA. 60" LG. 4x2	4/0-508E	
4	CABLE DOUBLE RUN 4/0 GA. 24" LG. 12x2	4/0-24B	
3	CABLE DOUBLE RUN 4/0 GA. 15" LG. 20x2	4/0-15B	
2	BATTERY/BOOTS/HARDWARE	40	PSG-12255
1	RACK	10	EZS1

NO.	DESCRIPTION	QTY.	PART NO.
12	TERMINAL ROOTS (95609V14)	12	AC-0011
11	EZ STACKING HARDWARE KIT	7	HK-0003
10	EZ ASSEMBLY HARDWARE KIT	20	HK-0001
9	EZ BUSBAR ASSEMBLY	1	EZ-9017
8	BUS BAR (THICK)	10	CC-0058
7	CABLE DOUBLE RUN 4/0 GA. MINIMUM 2x2 SUPPLIED BY CUSTOMER	4/0-708E	
6	CABLE DOUBLE RUN 4/0 GA. 70" LG. 4x2	4/0-608E	
5	CABLE DOUBLE RUN 4/0 GA. 60" LG. 4x2	4/0-508E	
4	CABLE DOUBLE RUN 4/0 GA. 24" LG. 12x2	4/0-24B	
3	CABLE DOUBLE RUN 4/0 GA. 15" LG. 20x2	4/0-15B	
2	BATTERY/BOOTS/HARDWARE	40	PSG-12255
1	RACK	10	EZS1

NO.	DESCRIPTION	QTY.	PART NO.
12	TERMINAL ROOTS (95609V14)	12	AC-0011
11	EZ STACKING HARDWARE KIT	7	HK-0003
10	EZ ASSEMBLY HARDWARE KIT	20	HK-0001
9	EZ BUSBAR ASSEMBLY	1	EZ-9017
8	BUS BAR (THICK)	10	CC-0058
7	CABLE DOUBLE RUN 4/0 GA. MINIMUM 2x2 SUPPLIED BY CUSTOMER	4/0-708E	
6	CABLE DOUBLE RUN 4/0 GA. 70" LG. 4x2	4/0-608E	
5	CABLE DOUBLE RUN 4/0 GA. 60" LG. 4x2	4/0-508E	
4	CABLE DOUBLE RUN 4/0 GA. 24" LG. 12x2	4/0-24B	
3	CABLE DOUBLE RUN 4/0 GA. 15" LG. 20x2	4/0-15B	
2	BATTERY/BOOTS/HARDWARE	40	PSG-12255
1	RACK	10	EZS1

NO.	DESCRIPTION	QTY.	PART NO.
12	TERMINAL ROOTS (95609V14)	12	AC-0011
11	EZ STACKING HARDWARE KIT	7	HK-0003
10	EZ ASSEMBLY HARDWARE KIT	20	HK-0001
9	EZ BUSBAR ASSEMBLY	1	EZ-9017
8	BUS BAR (THICK)	10	CC-0058
7	CABLE DOUBLE RUN 4/0 GA. MINIMUM 2x2 SUPPLIED BY CUSTOMER	4/0-708E	
6	CABLE DOUBLE RUN 4/0 GA. 70" LG. 4x2	4/0-608E	
5	CABLE DOUBLE RUN 4/0 GA. 60" LG. 4x2	4/0-508E	
4	CABLE DOUBLE RUN 4/0 GA. 24" LG. 12x2	4/0-24B	
3	CABLE DOUBLE RUN 4/0 GA. 15" LG. 20x2	4/0-15B	
2	BATTERY/BOOTS/HARDWARE	40	PSG-12255
1	RACK	10	EZS1

NO.	DESCRIPTION	QTY.	PART NO.
12	TERMINAL ROOTS (95609V14)	12	AC-0011
11	EZ STACKING HARDWARE KIT	7	HK-0003
10	EZ ASSEMBLY HARDWARE KIT	20	HK-0001
9	EZ BUSBAR ASSEMBLY	1	EZ-9017
8	BUS BAR (THICK)	10	CC-0058
7	CABLE DOUBLE RUN 4/0 GA. MINIMUM 2x2 SUPPLIED BY CUSTOMER	4/0-708E	
6	CABLE DOUBLE RUN 4/0 GA. 70" LG. 4x2	4/0-608E	
5	CABLE DOUBLE RUN 4/0 GA. 60" LG. 4x2	4/0-508E	
4	CABLE DOUBLE RUN 4/0 GA. 24" LG. 12x2	4/0-24B	
3	CABLE DOUBLE RUN 4/0 GA. 15" LG. 20x2	4/0-15B	
2	BATTERY/BOOTS/HARDWARE	40	PSG-12255
1	RACK	10	EZS1

NO.	DESCRIPTION	QTY.	PART NO.
12	TERMINAL ROOTS (95609V14)	12	AC-0011
11	EZ STACKING HARDWARE KIT	7	HK-0003
10	EZ ASSEMBLY HARDWARE KIT	20	HK-0001
9	EZ BUSBAR ASSEMBLY	1	EZ-9017
8	BUS BAR (THICK)	10	CC-0058
7	CABLE DOUBLE RUN 4/0 GA. MINIMUM 2x2 SUPPLIED BY CUSTOMER	4/0-708E	
6	CABLE DOUBLE RUN 4/0 GA. 70" LG. 4x2	4/0-608E	
5	CABLE DOUBLE RUN 4/0 GA. 60" LG. 4x2	4/0-508E	
4	CABLE DOUBLE RUN 4/0 GA. 24" LG. 12x2	4/0-24B	
3	CABLE DOUBLE RUN 4/0 GA. 15" LG. 20x2	4/0-15B	
2	BATTERY/BOOTS/HARDWARE	40	PSG-12255
1	RACK	10	EZS1

NO.	DESCRIPTION	QTY.	PART NO.
12	TERMINAL ROOTS (95609V14)	12	AC-0011
11	EZ STACKING HARDWARE KIT	7	HK-0003
10	EZ ASSEMBLY HARDWARE KIT	20	HK-0001
9	EZ BUSBAR ASSEMBLY	1	EZ-9017
8	BUS BAR (THICK)	10	CC-0058
7	CABLE DOUBLE RUN 4/0 GA. MINIMUM 2x2 SUPPLIED BY CUSTOMER	4/0-708E	
6	CABLE DOUBLE RUN 4/0 GA. 70" LG. 4x2	4/0-608E	
5	CABLE DOUBLE RUN 4/0 GA. 60" LG. 4x2	4/0-508E	
4	CABLE DOUBLE RUN 4/0 GA. 24" LG. 12x2	4/0-24B	
3	CABLE DOUBLE RUN 4/0 GA. 15" LG. 20x2	4/0-15B	
2	BATTERY/BOOTS/HARDWARE	40	PSG-12255
1	RACK	10	EZS1

NO.	DESCRIPTION	QTY.	PART NO.
12	TERMINAL ROOTS (95609V14)	12	AC-0011
11	EZ STACKING HARDWARE KIT	7	HK-0003
10	EZ ASSEMBLY HARDWARE KIT	20	HK-0001
9	EZ BUSBAR ASSEMBLY	1	EZ-9017
8	BUS BAR (THICK)	10	CC-0058
7	CABLE DOUBLE RUN 4/0 GA. MINIMUM 2x2 SUPPLIED BY CUSTOMER	4/0-708E	
6	CABLE DOUBLE RUN 4/0 GA. 70" LG. 4x2	4/0-608E	
5	CABLE DOUBLE RUN 4/0 GA. 60" LG. 4x2	4/0-508E	
4	CABLE DOUBLE RUN 4/0 GA. 24" LG. 12x2	4/0-24B	
3	CABLE DOUBLE RUN 4/0 GA. 15" LG. 20x2	4/0-15B	
2	BATTERY/BOOTS/HARDWARE	40	PSG-12255
1	RACK	10	EZS1

NO.	DESCRIPTION	QTY.	PART NO.
12	TERMINAL ROOTS (95609V14)	12	AC-0011
11	EZ STACKING HARDWARE KIT	7	HK-0003
10	EZ ASSEMBLY HARDWARE KIT	20	HK-0001
9	EZ BUSBAR ASSEMBLY	1	EZ-9017
8	BUS BAR (THICK)	10	CC-0058
7	CABLE DOUBLE RUN 4/0 GA. MINIMUM 2x2 SUPPLIED BY CUSTOMER	4/0-708E	
6	CABLE DOUBLE RUN 4/0 GA. 70" LG. 4x2	4/0-608E	
5	CABLE DOUBLE RUN 4/0 GA. 60" LG. 4x2	4/0-508E	
4	CABLE DOUBLE RUN 4/0 GA. 24" LG. 12x2	4/0-24B	
3	CABLE DOUBLE RUN 4/0 GA. 15" LG. 20x2	4/0-15B	
2	BATTERY/BOOTS/HARDWARE	40	PSG-12255
1	RACK	10	EZS1

NO.	DESCRIPTION	QTY.	PART NO.
12	TERMINAL ROOTS (95609V14)	12	AC-0011
11	EZ STACKING HARDWARE KIT	7	HK-0003
10	EZ ASSEMBLY HARDWARE KIT	20	HK-0001
9	EZ BUSBAR ASSEMBLY	1	EZ-9017
8	BUS BAR (THICK)	10	CC-0058
7	CABLE DOUBLE RUN 4/0 GA. MINIMUM 2x2 SUPPLIED BY CUSTOMER	4/0-708E	
6	CABLE DOUBLE RUN 4/0 GA. 70" LG. 4x2	4/0-608E	
5	CABLE DOUBLE RUN 4/0 GA. 60" LG. 4x2	4/0-508E	
4	CABLE DOUBLE RUN 4/0 GA. 24" LG. 12x2	4/0-24B	
3	CABLE DOUBLE RUN 4/0 GA. 15" LG. 20x2	4/0-15B	
2	BATTERY/BOOTS/HARDWARE	40	PSG-12255
1	RACK	10	EZS1

NO.	DESCRIPTION	QTY.	PART NO.
12	TERMINAL ROOTS (95609V14)	12	AC-0011
11	EZ STACKING HARDWARE KIT	7	HK-0003
10	EZ ASSEMBLY HARDWARE KIT	20	HK-0001
9	EZ BUSBAR ASSEMBLY	1	EZ-9017
8	BUS BAR (THICK)	10	CC-0058
7	CABLE DOUBLE RUN 4/0 GA. MINIMUM 2x2 SUPPLIED BY CUSTOMER	4/0-708E	
6	CABLE DOUBLE RUN 4/0 GA. 70" LG. 4x2	4/0-608E	
5	CABLE DOUBLE RUN 4/0 GA. 60" LG. 4x2	4/0-508E	
4	CABLE DOUBLE RUN 4/0 GA. 24" LG. 12x2	4/0-24B	
3	CABLE DOUBLE RUN 4/0 GA. 15" LG. 20x2	4/0-15B	
2	BATTERY/BOOTS/HARDWARE	40	PSG-12255
1	RACK	10	EZS1</